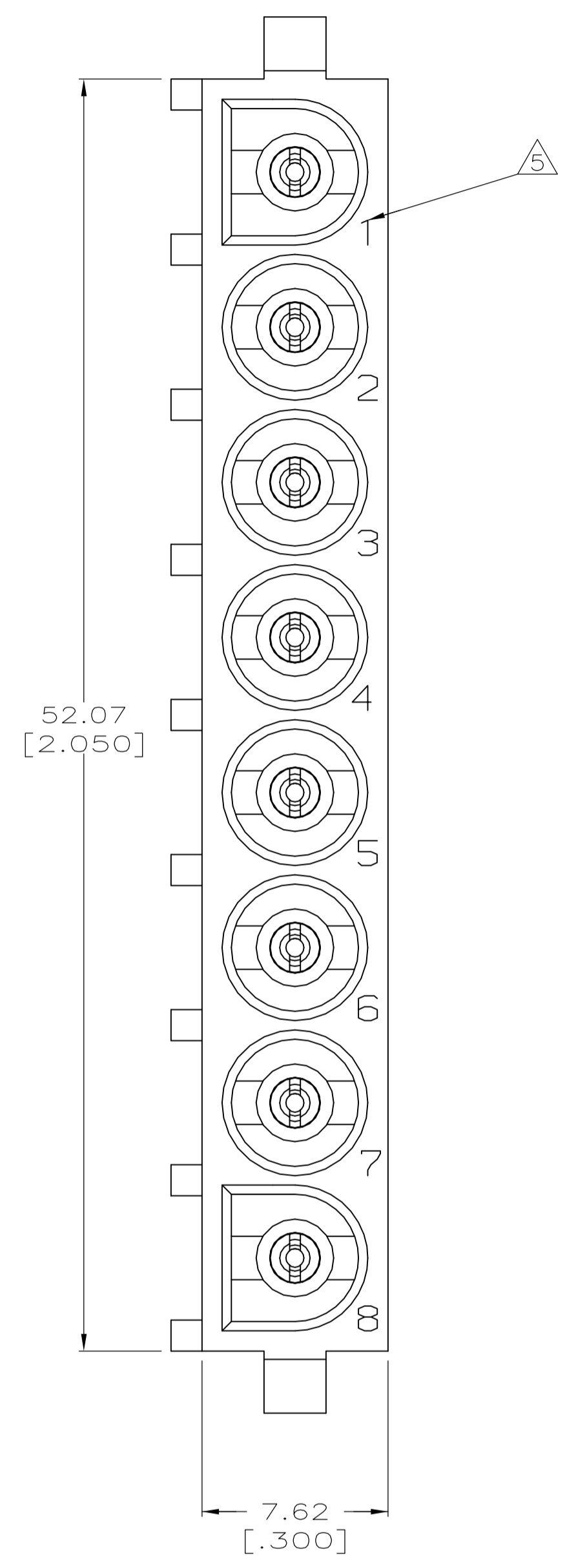
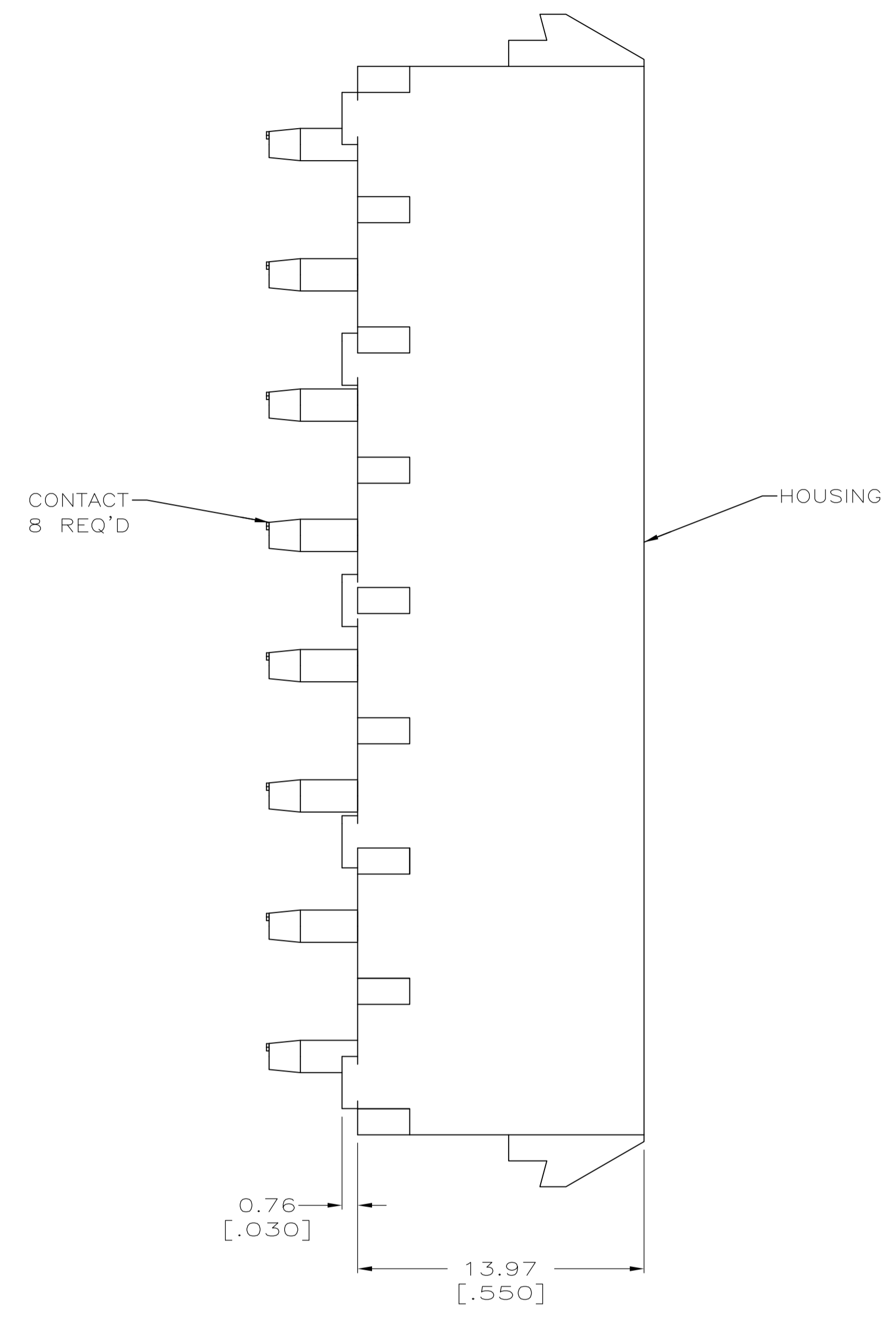
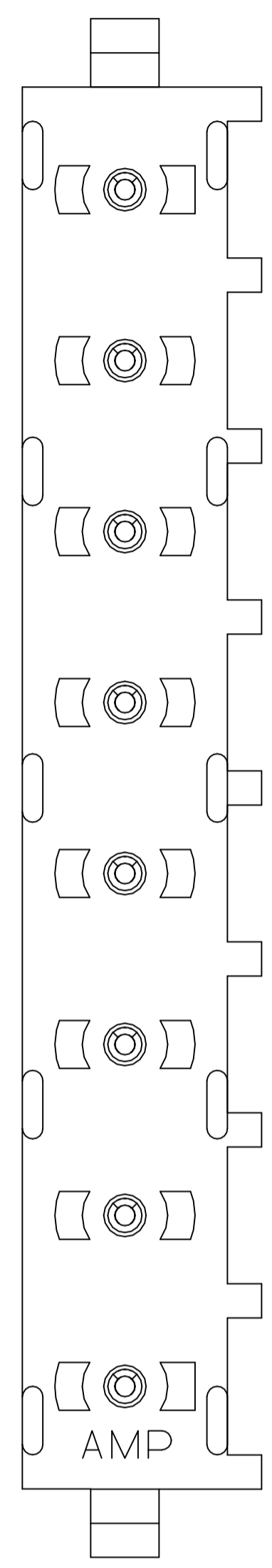
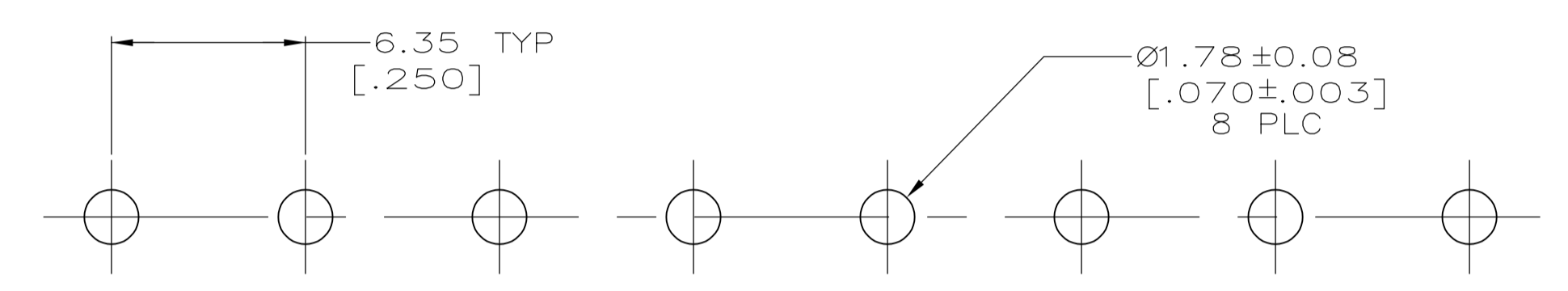


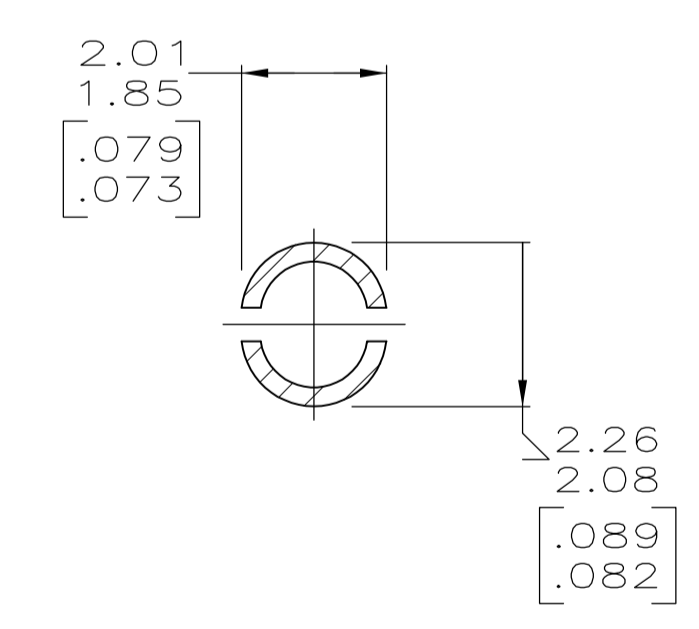
LOC		DIST		REVISIONS			
P	LTR	DESCRIPTION	DATE	DWN	APVD		
M	REV PER EC	OG1B-0261-98	28-JAN-99	BL	RS		
M1	REVISED PER ECR	14-017307	02JAN15	AV	DZ		



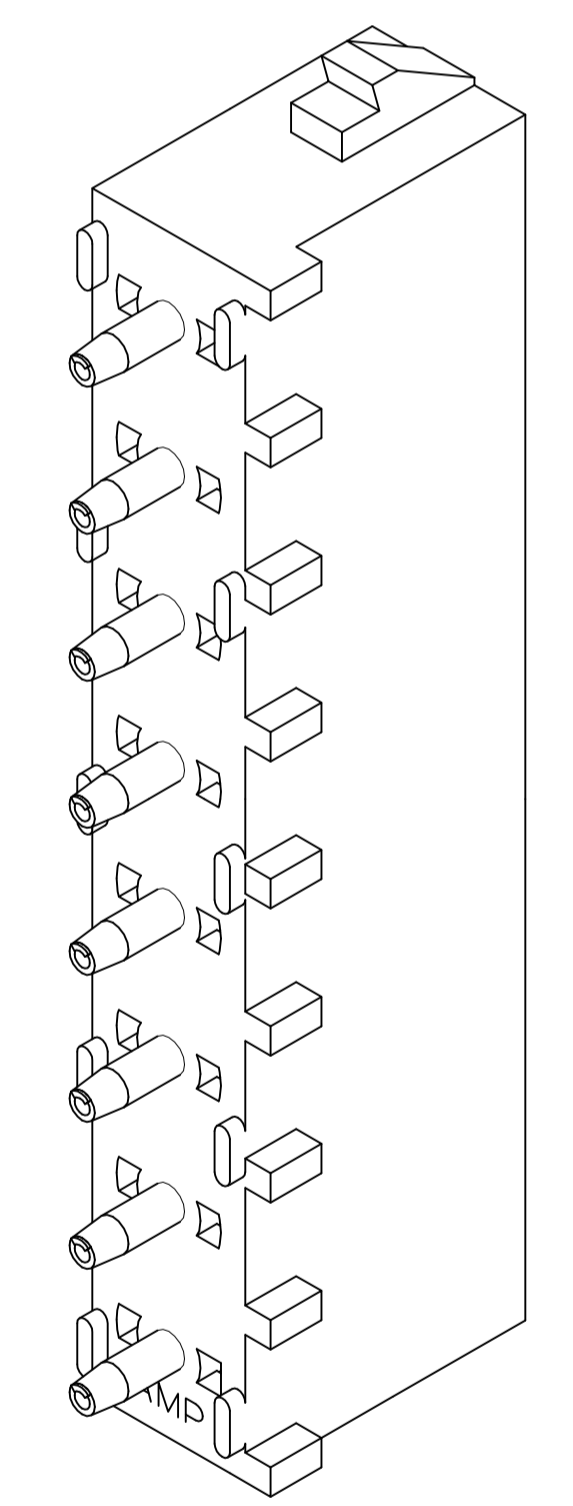
- PARTS COMPLY WITH TE SOLDERABILITY SPECIFICATION 109-11-3.
- DIMENSIONS IN BRACKETS ARE IN INCHES.
- CIRCUIT IDENTIFICATION CHARACTERS ARE ADJACENT TO THE INDICATED CAVITIES, BUT LOCATION AND ORIENTATION MAY DIFFER FROM PRINT.
- PRELIMINARY PART. NOT RELEASED FOR PRODUCTION.



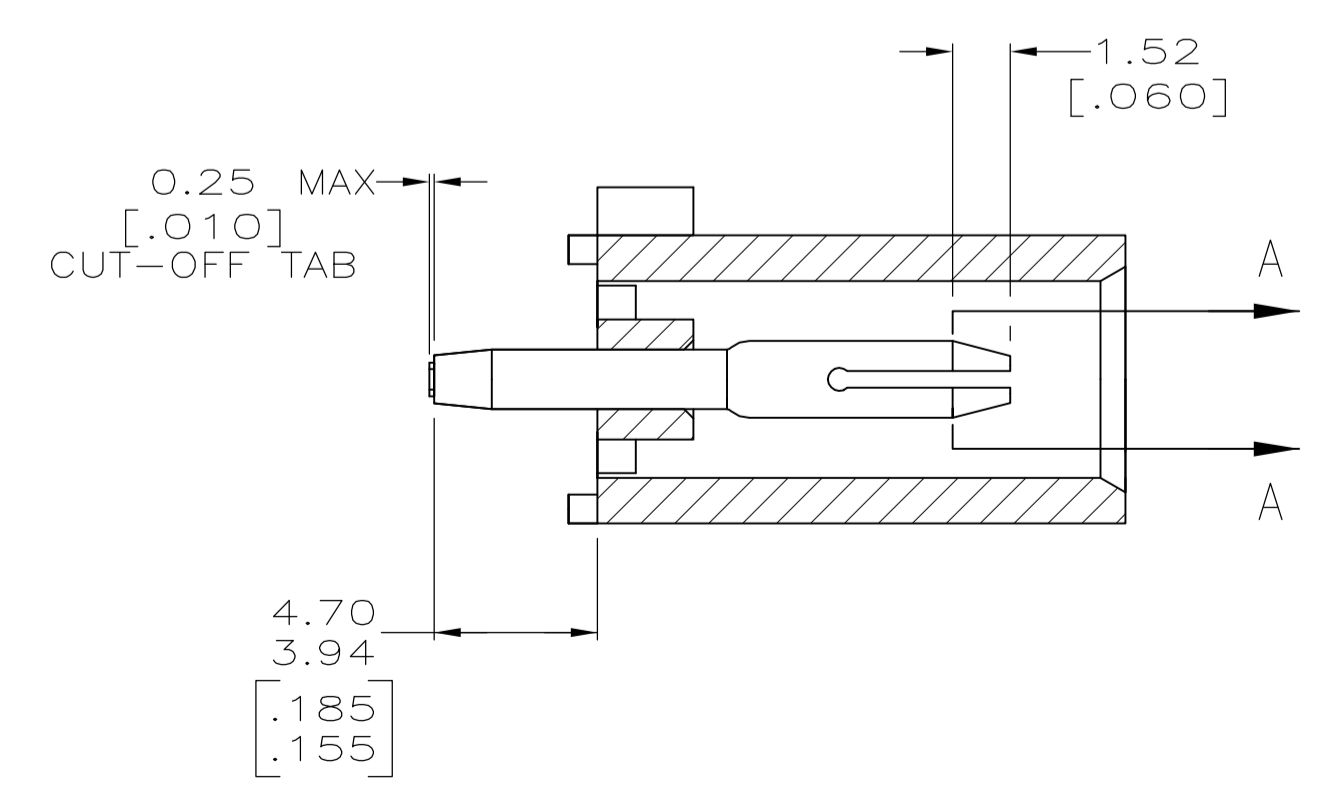
RECOMMENDED MOUNTING HOLE PATTERN FOR 1.57 [.062] THICK P.C. BOARD



SECTION A-A SCALE 10:1



3-DIMENSIONAL MODEL NTS



PHOSPHOR BRONZE, PRE-TIN	NYLON, UL94V-0, RED	641828-2
PHOSPHOR BRONZE, PRE-TIN	NYLON, UL94V-0, WHITE	641828-1
PIN CONTACT MATERIAL AND FINISH	HOUSING MATERIAL	PART NO.

THIS DRAWING IS A CONTROLLED DOCUMENT.		DIN T. BECK 12-3-93	TE Connectivity	
DIMENSIONS: mm [INCHES]		CHK R. SWING 12-3-93	NAME	
TOLERANCES UNLESS OTHERWISE SPECIFIED:		APVD D. SELF 12-14-93	PRODUCT SPEC	
0 PLC ± -	1 PLC ± -	108-1053		
2 PLC ± 0.13 [.005]	3 PLC ± -	APPLICATION SPEC		
4 PLC ± -	ANGLES ± -	SIZE	CAGE CODE	DRAWING NO
MATERIAL SEE TABLE	FINISH SEE TABLE	114-1010	A1	00779
WEIGHT		641828	RESTRICTED TO	
CUSTOMER DRAWING		SCALE 5:1	SHEET 1 OF 1	REV M1

